

MOVING YOU FURTHER

# Robex 210W-9S

With Tier 2 Engine installed



\*Photo may include optional equipment.

PLEASE CONTACT

 **HYUNDAI CONSTRUCTION EQUIPMENT**

# Pride at Work

Hyundai Heavy Industries strives to build state-of-the-art earthmoving equipment to give every operator maximum performance, more precision, versatile machine preferences, and proven quality. Take pride in your work with Hyundai!

## Robex 210w-95

### Machine Walk-Around



\*Photo may include optional equipment.

#### Engine Technology

Proven and reliable, fuel efficient HYUNDAI HM 5.9  
Low noise / Auto engine warm up feature / Anti-restart feature

#### Hydraulic System Improvements

New patented hydraulic control system for improved controllability / Improved control valve design for added efficiency and smoother operation / New auto boom and swing priority system for optimum speed / New auto power boost feature for additional power when needed / Improved arm-in flow regeneration system for added speed and efficiency

#### Pump Compartment

Industry-leading, powerful, reliable Kawasaki designed, variable volume in-line axial piston pumps  
New compact solenoid block equipped with 3 solenoid valves, 1 EPPR valve, 1 check valve accumulator and pilot filter-controls safety lock, power boost, arm-in regeneration control, boom priority (swing logic valve control)  
Remotely mounted fuel, engine oil and case drain filters for maximum convenience while servicing

#### Carrier

Heavy duty carrier frame with two speed powershift transmission  
Heavy duty drive line and axles / Front axle oscillation +/- 7 degrees with ram lock  
Wet disc brake (front & rear) / Automatic parking brake - spring applied, hydraulically released

#### Improved Steering Column

Slim-profile steering column capable of telescoping 60 mm and tilting 30 degrees

#### Enhanced Operator Cab

##### Improved visibility

Enlarged cab with improved visibility  
Larger right-side glass, now one piece, for better right visibility  
Safety glass windows on all sides - less expensive than (polycarbonate) and won't scratch or fade  
Reduced front window seam for improved operator view

##### Improved Cab Construction

New steel tube construction for added operator safety, protection and durability  
New window open/close mechanism designed with cable and spring lift assist and single latch release

##### Improved Suspension Seat / Console Assembly

Ergonomic joysticks with auxiliary control buttons for attachment use, now with new sleek styling  
Adjustable arm rests - turn dial to raise or lower for optimum comfort

##### Advanced 7" Color Cluster

New color LCD display with easy-to-read digital gauges for hydraulic oil temperature, water temperature, and fuel. Simplified design makes adjustment and diagnostics easier. Also, new enhanced features such as rear-view camera are integrated into monitor  
3 power modes : (P) Power, (S) Standard, (E) Economy, 2 work modes : Dig & Attachment, (U) User mode for operator preference  
Enhanced self-diagnostic features with GPS/satellite technology  
One pump flow or two pump flow for optional attachment now selectable through the cluster  
New anti-theft system with password capability  
Boom speed and arm regeneration are selectable through the monitor  
Auto power boost is now available - selectable (on/off) through the monitor

**Hi-mate** (Remote Management System) works through GPS/Satellite technology to ultimately provide better customer service and support

# Preference

Operating a 9S Series is unique to every operator. Operators can fully customize their work environment and operating preferences to fit their individual needs.



\*Photo may include optional equipment.



## Wide Cabin with Excellent Visibility

The newly designed cabin was conceived for more space, a wider field of view and operator comfort. Special attention was given to a clear, open and convenient interior with plenty of visibility on the machine surroundings and the job at hand. This well balanced combination of precision aspects put the operator in the perfect position to work safely and securely.

## Operator Comfort

In a 9S series cabin you can easily adjust the seat, console and armrest settings to best suit your personal operating preferences. Seat and console position can be set together and independent from each other. Improved steering wheel telescope and tilt functions provide operators improved access. A fully automatic, high capacity airconditioning system maintains a constant preferred temperature.



## Reduced Stress

Work is stressful enough. Your work environment should be stress free. Hyundai's 9S Series provides improved cab amenities, additional space and a comfortable seat to minimize stress to the operator. A powerful climate control system provides the operator with optimum air temperature. An advanced audio system with USB player, AM/FM stereo is perfect for listening to music favorites.



## Operator - Friendly Cluster

The advanced new cluster with 7 inch wide color LCD screen and toggle switch allows the operator to select his personal machine preferences. Power and work mode selection, self diagnostics, optional rear-view camera, maintenance check lists and start-up machine security were integrated into the cluster to make the machine more versatile and the operator more productive.



# Precision

Innovative hydraulic system technologies make the 9S Series excavator fast, smooth and easy to control.



## Computer Aided Power

The engine horsepower and hydraulic horsepower together in unison through the advanced CAPO(Computer Aided Power Optimization) system, flow for the job at hand. Operator can set their own preferences for boom or swing priority, power mode selection and optional work tools at the touch of a button.

The CAPO system also provides complete self diagnostic features and digital gauges for important information like hydraulic oil temperature, water temperatures and fuel level. This system interfaces with multiple sensors placed throughout the hydraulic system as well as hydraulic flow.

- Power Mode**  
P (Power Max) mode maximizes machine speed and power for mass production.  
S (Standard) mode provides a reduced, fixed rpm for optimum performance and improved fuel economy. For maximum fuel savings and improved control, E (Economy) mode provides precise flow based on load demand. Three unique power modes provide the operator with custom power, speed and fuel economy.
- Work Mode**  
The work mode allows the operator to select single flow attachments like a hydraulic breaker or bi-directional flow attachments like a crusher. Flow settings unique to each attachment can be programmed from within the cluster.
- User Mode**  
Some jobs require more precise machine settings. Using the versatile U (User) mode, the operator can customize engine speed, pump output, idle speed and other machine settings for the job at hand.

## Improved Hydraulic System

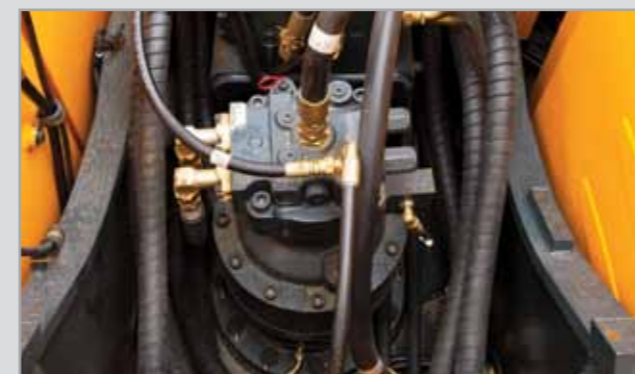


To achieve optimum precision, Hyundai redesigned the hydraulic system to provide the operator with super fine touch and improved controllability. Improved pump flow control reduces flow when controls are not being used to minimize fuel consumption.

Improved spool valves in the control valve are engineered to provide more precise flow to each function with less effort.

Improved hydraulic valves, precision-designed variable volume piston pumps, fine-touch pilot controls, and enhanced travel functions make any operator running a 9S Series look like a smooth operator. Newly improved

features include arm-in and boom-down flow regeneration, improved control valve technology and innovative auto boom and swing priority for optimal performance in any application.



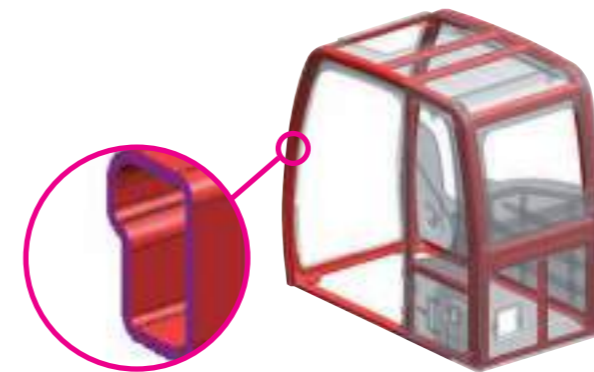
## Auto Boom-swing Priority

This smart function automatically and continuously looks the ideal hydraulic flow balance for the boom and swing motions of the machine. The advanced CAPO system monitors the hydraulic system and adjusts its settings to maximize performance and productivity.

\*Photo may include optional equipment.

# Performance

9S Series is designed for maximum performance to keep the operator working productively.



## Structural Strength

The 9S series cabin structure has been fitted with stronger but slimmer tubing for more safety and better visibility. Low-stress and high strength steel was integrally welded to form a strong and stable lower frame. Structural durability was evaluated and tested by means of FEM (Finite Elements Method) analysis and long-term durability tests.



## Improved Durability

9S series excavators are equipped with stainless spring guards to protect the hoses from external damages. Both dozer and outrigger are equipped with cylinder guards for added protection.

## New Auto Ram Lock System

During not traveling in work-mode, a new auto ram lock system is available to improve operating safety.



## HYUNDAI HM5.9

The Hyundai HM5.9 engine has been designed with 40% fewer parts than the competition. That means there's less that can go wrong when you need it most. It also means fewer parts to inventory. Repairs are simplified because no special tools are needed for maintenance. The weight of the machine is reduced without sacrificing strength. The Hyundai HM5.9 engine is capable of reaching emission standards without electronic engine controls. You get a proven power plant that meets ecological concerns, without paying a premium for technology you don't need.

\*Photo may include optional equipment.

# Profitability

9S Series is designed to maximize profitability through improved efficiencies, enhanced service features and longer life components.



\*Photo may include optional equipment.

## Fuel Efficiency

9S Series excavators are engineered to be extremely fuel efficient. New innovations like two-stage auto decel system and the new economy mode help to conserve fuel and reduce the impact on the environment.



## Hi-MATE (Remote Management System)

Hi-MATE, Hyundai's proprietary remote management system, provides operators and dealer service personnel access to vital service and diagnostic information on the machine from any computer with internet access. Users can pinpoint machine location using digital mapping and set machine work boundaries, reducing the need for multiple service calls. Hi-MATE saves time and money for the owner and dealer by promoting preventative maintenance and reducing machine downtime.



## Easy Access

Ground-line access to filters, lube fittings, fuses, machine computer components and wide open compartments makes service more convenient on the 9S Series.



## Long-Life Components

9S series excavators were designed with bushings designed for long-life lube intervals (250 hrs) & polymer shims (wear resistant, noise reducing), long-life hydraulic filters (1,000hrs), long-life hydraulic oil (5,000hrs), more efficient cooling systems and integrated preheating systems which extend service intervals, minimize operating costs and reduce machine down time.

# Specifications

## ENGINE

|                           |     |   |                            |
|---------------------------|-----|---|----------------------------|
| MODEL                     |     | HYUNDAI HM 5.9  |                            |
| Type                      |     | Water cooled, 4 cycle diesel, 6-cylinders in line, direct injection, turbocharged, charger air cooled and low emission. |                            |
| Rated flywheel horsepower | SAE | J1995 (gross)   | 178 HP (133 kW)/ 2,000 rpm |
|                           |     | J1349 (net)   | 163 HP (121 kW)/ 2,000 rpm |
| horsepower                | DIN | 6271/1 (gross)  | 180 PS (133 kW)/ 2,000 rpm |
|                           |     | 6271/1 (net)  | 165 PS (121 kW)/ 2,000 rpm |
| Max. torque               |     | 72.2 kgf-m(522 lbf-ft) at 1,500 rpm   |                            |
| Bore X stroke             |     | 102 x 120 mm (4" x 4.7")  |                            |
| Piston displacement       |     | 5,880 cc (359 in <sup>3</sup> )   |                            |
| Batteries                 |     | 2 x 12 V x 100 AH   |                            |
| Starting motor            |     | 24V-4.5 kW  |                            |
| Alternator                |     | 24V-90 Amp  |                            |

## HYDRAULIC SYSTEM

|                            |  |
|----------------------------|--|
| MAIN PUMP                  |  |
| Type                       | Two variable displacement piston pumps |
| Rated flow                 | 2 X 192 L /min                         |
| Sub-pump for pilot circuit | Gear pump                              |

Cross-sensing and fuel saving pump system

|                  |   |
|------------------|---|
| HYDRAULIC MOTORS |   |
| Travel           | Variable displacement bent-axis axial pistons motor |
| Swing            | Axial piston motor with automatic brake             |

|                                 |                                     |
|---------------------------------|-------------------------------------|
| RELIEF VALVE SETTING            |                                     |
| Implement circuits              | 350 kgf/cm <sup>2</sup> (4,980 psi) |
| Travel                          | 380 kgf/cm <sup>2</sup> (5,400 psi) |
| Power boost (boom, arm, bucket) | 380 kgf/cm <sup>2</sup> (5,400 psi) |
| Swing circuit                   | 265 kgf/cm <sup>2</sup> (3,770 psi) |
| Pilot circuit                   | 40 kgf/cm <sup>2</sup> (570 psi)    |
| Service valve                   | Installed                           |

|                               |   |
|-------------------------------|---|
| HYDRAULIC CYLINDERS           |   |
| No. of cylinder bore X stroke | Boom : 2-120 x 1,290 mm (4.7" x 50.8")    |
|                               | Arm : 1-140 x 1,510 mm (5.5" x 59.4")     |
|                               | Bucket : 1-120 x 1,055 mm (4.7" x 41.5")  |
|                               | Blade : 2-125 x 222 mm (4.9" x 8.7")      |
|                               | Outrigger : 2-130 x 427 mm (5.1" x 16.8") |

## DRIVES & BRAKES

4-wheel hydrostatic drive. Constant mesh, helical gear transmission provides

2 forward and reverse travel speeds.

|                   |     |                         |
|-------------------|-----|-------------------------|
| Max. drawbar pull |     | 11,900 kgf (26,240 lbf) |
| Travel speed      | 1st | 8.7 km/h (5.4 mph)      |
|                   | 2nd | 30 km/h (18.6 mph)      |
| Gradeability      |     | 34° (67.4 %)            |

Parking brake : Independent dual brake, front and rear axle full hydraulic power brake.

- Spring released and hydraulic applied wet type multiple disk brake.

- Transmission is locked at neutral position for parking, automatically.

## CONTROL

Pilot pressure operated joysticks and pedals with detachable lever provide almost effortless and fatigueless operation.

|                 |  |
|-----------------|--|
| Pilot control   | Two joysticks with one safety lever (LH): Swing and arm, (RH): Boom and bucket (ISO) |
| Engine throttle | Electric, Dial type  |

## AXLE & WHEEL

Full floating front axle is supported by center pin for ocillation. It can be locked by ocillation lock cylinders. Rear axle is fixed on the lower chassis.

|            |                                |
|------------|--------------------------------|
| Tires      | 10.00-20-14PR, Dual(tube type) |
| (optional) | 10.00-20, Dual(solid type)     |

## SWING SYSTEM

|                           |  |
|---------------------------|--|
| Swing motor               | Fixed displacement axial pistons motor |
| Swing reduction           | Planetary gear reduction               |
| Swing bearing lubrication | Grease-bathed                          |
| Swing brake(option)       | Multi wet disc                         |
| Swing speed               | 10.5 rpm                               |

## STEERING SYSTEM

Hydraulically actuated, orbital type steering system actuates on front wheels through the steering cylinders.

|                     |                   |
|---------------------|-------------------|
| Min. turning radius | 6,690 mm(21' 11") |
|---------------------|-------------------|

## COOLANT & LUBRICANT CAPACITY

( ): option

|                                   | liter    | US gal    | UK gal   |
|-----------------------------------|----------|-----------|----------|
| Re-filling                        |          |           |          |
| Fuel tank                         | 310.0    | 81.9      | 68.2     |
| Engine coolant                    | 35.0     | 9.2       | 7.7      |
| Engine oil                        | 14.2     | 3.8       | 3.1      |
| Swing device - gear oil           | 5.0(6.2) | 1.3(1.05) | 1.1(0.9) |
| Axle                              | Front    | 14.6      | 3.9      |
|                                   | Rear     | 18.5      | 4.9      |
| Hydraulic system (including tank) | 340.0    | 89.8      | 74.8     |
| Hydraulic tank                    | 165.0    | 43.6      | 36.3     |

## UNDERCARRIAGE

Reinforced box-section frame is all-welded, low-stress.

Dozer blade and outriggers are available. A pin-on design.

|             |   |
|-------------|---|
| Dozer blade | A very useful addition for leveling and back filling or clean-up work.                                    |
| Outrigger   | Indicated for max. operation stability when digging and lifting. Can be mounted on the front or the rear. |

## OPERATING WEIGHT (APPROXIMATE)

Operating weight, including 5,650mm (18' 6") boom, 2,920mm (9' 7") arm, SAE heaped 0.80m<sup>3</sup> (1.05yd<sup>3</sup>) backhoe bucket, lubricant, coolant, full fuel tank, hydraulic tank and the standard equipment.

|                           |                      |
|---------------------------|----------------------|
| MAJOR COMPONENT WEIGHT    |                      |
| Upperstructure            | 5,240 kg (11,550 lb) |
| Boom(with arm cylindr)    | 1,790 kg (3,950 lb)  |
| Arm(with bucket cylinder) | 1,095 kg (2,410 lb)  |

|                                |                       |
|--------------------------------|-----------------------|
| OPERATING WEIGHT               |                       |
| Front outrigger and rear blade | 20,500 kg (45,190 lb) |
| Front and rear outrigger       | 20,600 kg (45,420 lb) |
| Front blade and rear outrigger | 20,600 kg (45,420 lb) |

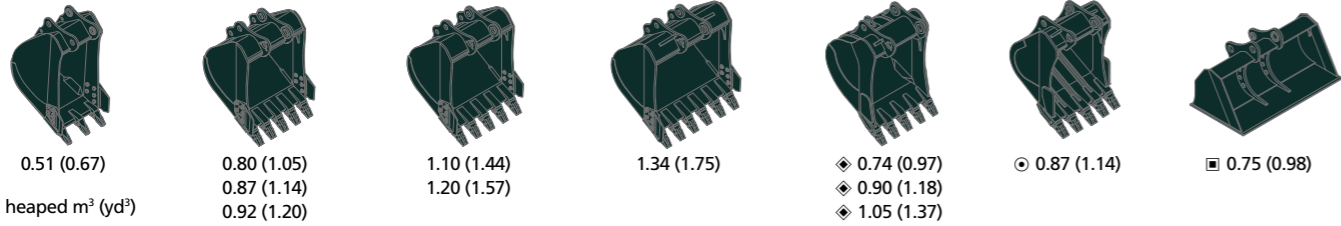
## AIR CONDITIONING SYSTEM

The air condition system for the machine contains the fluorinated greenhouse gas with global warming potential of R134a. (Global Warming Potential : 1430)

The system hold 0.8kg refrigerant consisting of a CO<sub>2</sub> equivalent 1.14kg metric tonne. For more information, Please refer to the manual.

## BUCKETS

All buckets are welded with high-strength steel.



| Capacity<br>m³ (yd³) |             | Width<br>mm (in)    |                  | Weight<br>kg (lb) | Recommendation mm (ft-in) |                   |  |
|----------------------|-------------|---------------------|------------------|-------------------|---------------------------|-------------------|--|
| SAE heaped           | CECE heaped | Without sidecutters | With sidecutters |                   | 5,650 (18' 6") Boom       |                   |  |
|                      |             |                     |                  |                   |                           |                   |  |
|                      |             |                     |                  | 2,000 (6' 7") Arm | 2,400 (7' 10") Arm        | 2,920 (9' 7") Arm |  |
| 0.51(0.67)           | 0.45(0.59)  | 700(27.6)           | 820(32.3)        | 570(1,260)        | ●                         | ●                 |  |
| 0.80(1.05)           | 0.70(0.92)  | 1,000(39.4)         | 1,120(44.1)      | 700(1,540)        | ●                         | ●                 |  |
| 0.87(1.14)           | 0.75(0.98)  | 1,090(42.9)         | 1,210(47.6)      | 740(1,630)        | ●                         | ●                 |  |
| 0.92(1.20)           | 0.80(1.05)  | 1,150(45.3)         | 1,270(50.0)      | 770(1,700)        | ●                         | ■                 |  |
| 1.10(1.44)           | 0.96(1.26)  | 1,320(52.0)         | 1,440(56.7)      | 830(1,830)        | ●                         | ▲                 |  |
| 1.20(1.57)           | 1.00(1.31)  | 1,400(55.1)         | 1,520(59.8)      | 850(1,870)        | ●                         | —                 |  |
| 1.34(1.75)           | 1.15(1.50)  | 1,550(61.0)         | 1,670(65.7)      | 920(2,030)        | ■                         | —                 |  |
| ◆ 0.74(0.97)         | 0.65(0.85)  | 985(38.8)           | -                | 770(1,700)        | ●                         | ●                 |  |
| ◆ 0.90(1.18)         | 0.80(1.05)  | 1,095(43.1)         | -                | 810(1,790)        | ●                         | ■                 |  |
| ◆ 1.05(1.37)         | 0.92(1.20)  | 1,290(50.8)         | -                | 890(1,960)        | ●                         | ▲                 |  |
| ◎ 0.87(1.14)         | 0.75(0.98)  | 1,140(44.9)         | -                | 900(1,980)        | ●                         | ■                 |  |
| ■ 0.75(0.98)         | 0.65(0.85)  | 1,790(70.5)         | -                | 880(1,940)        | ●                         | ■                 |  |

◆ Heavy duty bucket    ◎ Rock-heavy duty bucket  
■ Slope finishing bucket

● : Applicable for materials with density of 2,000 kg/m³ (3,370 lb/ yd³) or less  
■ : Applicable for materials with density of 1,600 kg/m³ (2,700 lb/ yd³) or less  
▲ : Applicable for materials with density of 1,100 kg/m³ (1,850 lb/ yd³) or less

## ATTACHMENT

Boom and arms are welded with a low-stress, full-box section design. 5.65m (18' 6") boom and 2.0m (6' 7"), 2.4m (7' 10"), 2.92m (9' 7") arms are available.

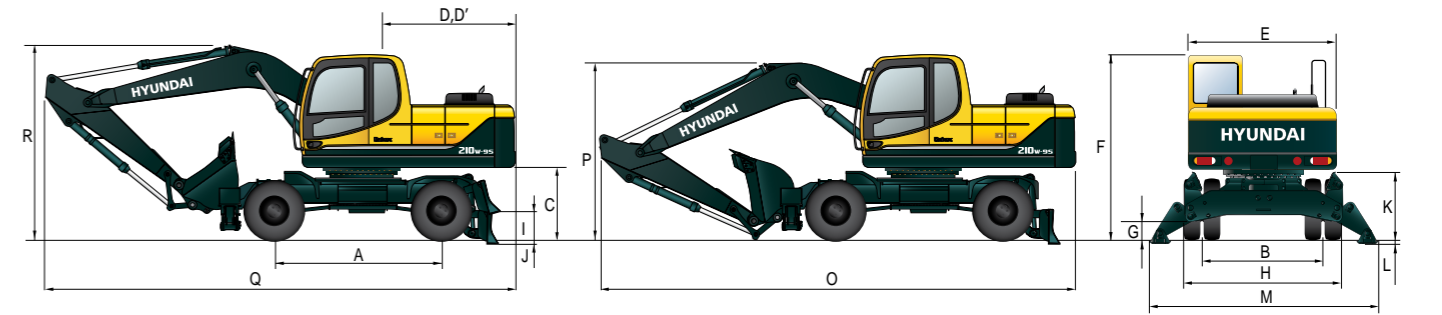
## DIGGING FORCE

| Boom                 | Length | mm (ft-in) | 5,650 (18' 6")  |                 |                 | Remarks          |
|----------------------|--------|------------|-----------------|-----------------|-----------------|------------------|
|                      | Weight | kg (lb)    | 1,790 (3,950)   |                 |                 |                  |
| Arm                  | Length | mm (ft-in) | 2,000 (6' 7")   | 2,400 (7' 10")  | 2,920 (9' 7")   | Power Boost      |
|                      | Weight | kg (lb)    | 975 (2,150)     | 1,045 (2,300)   | 1,095 (2,410)   |                  |
| Bucket digging force | SAE    | kN         | 133.4 [144.8]   | 133.4 [144.8]   | 133.4 [144.8]   | [ ]: Power Boost |
|                      |        | kgf        | 13,600 [14,770] | 13,600 [14,770] | 13,600 [14,770] |                  |
|                      |        | lbf        | 29,980 [32,550] | 29,980 [32,550] | 29,980 [32,550] |                  |
|                      | ISO    | kN         | 152.0 [165.0]   | 152.0 [165.0]   | 152.0 [165.0]   |                  |
|                      |        | kgf        | 15,500 [16,830] | 15,500 [16,830] | 15,500 [16,830] |                  |
|                      |        | lbf        | 34,170 [37,100] | 34,170 [37,100] | 34,170 [37,100] |                  |
| Arm crowd force      | SAE    | kN         | 144.2 [156.5]   | 119.6 [129.9]   | 102.0 [110.7]   | [ ]: Power Boost |
|                      |        | kgf        | 14,700 [15,960] | 12,200 [13,250] | 10,400 [11,290] |                  |
|                      |        | lbf        | 32,410 [35,190] | 26,900 [29,210] | 22,930 [24,900] |                  |
|                      | ISO    | kN         | 151.0 [164.0]   | 125.5 [136.3]   | 106.9 [116.1]   |                  |
|                      |        | kgf        | 15,400 [16,720] | 12,800 [13,900] | 10,900 [11,830] |                  |
|                      |        | lbf        | 33,950 [36,860] | 28,220 [30,640] | 24,030 [26,090] |                  |

Note: Boom weight includes arm cylinder, piping, and pin  
Arm weight includes bucket cylinder, linkage, and pin

## Dimensions & Working Range

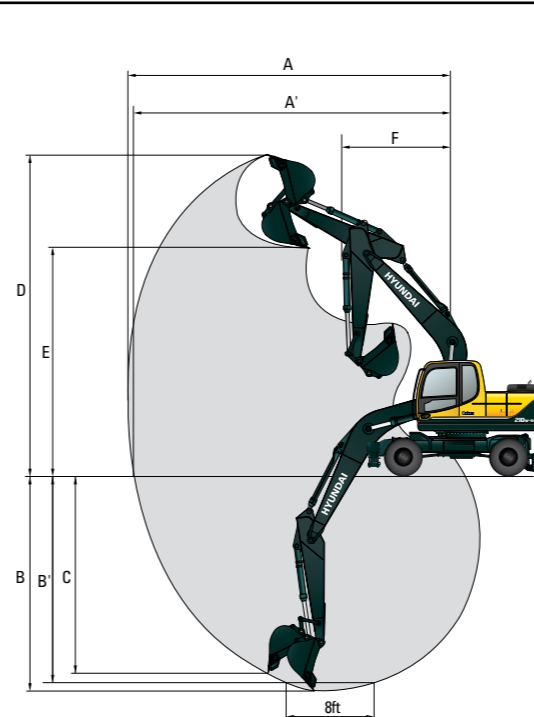
### R210W-9S DIMENSIONS



|                                     | Unit : mm (ft - in) |
|-------------------------------------|---------------------|
| A Wheel base                        | 2,800 (9' 2")       |
| B Tread                             | 1,914 (6' 3")       |
| C Ground clearance of counterweight | 1,305 (4' 3")       |
| D Tail swing radius                 | 2,800 (9' 2")       |
| D' Rear-end length                  | 2,765 (9' 1")       |
| E Overall width of upperstructure   | 2,530 (8' 4")       |
| F Overall height of cap             | 3,180 (10' 5")      |
| G Min. ground clearance             | 345 (1' 2")         |
| H Overall width of lower structure  | 2,495 (8' 2")       |
| I Ground clearance of blade up      | 445 (1' 6")         |
| Depth of blade down                 | 125 (0' 5")         |
| J Height of blade                   | 610 (2' 0")         |
| Width of blade                      | 2,490 (8' 2")       |
| K Ground clearance of outrigger up  | 1,220 (4' 0")       |
| L Depth of outrigger down           | 120 (0.5")          |
| M Overall width of outrigger        | 3,770 (12' 4")      |

|                            | Unit : mm (ft - in) |                |                |
|----------------------------|---------------------|----------------|----------------|
| Boom length                | 5,650 (18' 6")      |                |                |
| Arm length                 | 2,000 (6' 7")       | 2,400 (7' 10") | 2,920 (9' 7")  |
| O Shipping length of boom  | 9,680 (31' 9")      | 9,570 (31' 5") | 9,500 (31' 2") |
| P Shipping height of boom  | 3,350 (10' 12")     | 3,240 (10' 8") | 3,150 (10' 4") |
| Q Traveling length of boom | 9,590 (31' 6")      | 9,540 (31' 3") | 9,380 (30' 1") |
| R Traveling height of boom | 3,720 (12' 2")      | 3,650 (11' 9") | 4,020 (13' 2") |

### R210W-9S WORKING RANGE



|                                    | Unit : mm (ft - in) |                 |                  |
|------------------------------------|---------------------|-----------------|------------------|
| Boom length                        | 5,650 (18' 6")      |                 |                  |
| Arm length                         | 2,000 (6' 7")       | 2,400 (7' 10")  | 2,920 (9' 7")    |
| A Max. digging reach               | 9,110 (29' 11")     | 9,480 (31' 1")  | 9,960 (32' 8")   |
| A' Max. digging reach on ground    | 8,870 (29' 1")      | 9,260 (30' 5")  | 9,750 (32' 12")  |
| B Max. digging depth               | 5,480 (17' 12")     | 5,880 (19' 3")  | 6,380 (20' 11")  |
| B' Max. digging depth (8' level)   | 5,240 (17' 2")      | 5,670 (18' 7")  | 6,210 (20' 4")   |
| C Max. vertical wall digging depth | 4,970 (16' 4")      | 5,470 (17' 11") | 5,810 (19' 1")   |
| D Max. digging height              | 9,500 (31' 2")      | 9,730 (31' 11") | 10,000 (32' 10") |
| E Max. dumping height              | 6,670 (21' 11")     | 6,900 (22' 8")  | 7,160 (23' 6")   |
| F Min. swing radius                | 3,700 (12' 2")      | 3,620 (11' 11") | 3,580 (11' 9")   |



# Lifting Capacity

## R210W-9S

Rating over-front Rating over-side or 360 degree

Boom : 5.65 m (18' 6") / Arm : 2.40 m (7' 10") / Bucket : 0.80 m<sup>3</sup> (1.05 yd<sup>3</sup>) SAE heaped / Front outrigger and rear dozer blade down

| Load point height<br>m (ft) |          | Load radius      |                  |                  |                  |                 |                 |                 |                 |                 |              | At max. reach   |              |                |
|-----------------------------|----------|------------------|------------------|------------------|------------------|-----------------|-----------------|-----------------|-----------------|-----------------|--------------|-----------------|--------------|----------------|
|                             |          | 1.5 m (5 ft)     |                  | 3.0 m (10 ft)    |                  | 4.5 m (15 ft)   |                 | 6.0 m (20 ft)   |                 | 7.5 m (25 ft)   |              | Capacity        |              | Reach          |
|                             |          |                  |                  |                  |                  |                 |                 |                 |                 |                 |              |                 |              | m (ft)         |
| 7.5 m<br>(25 ft)            | kg<br>lb |                  |                  |                  |                  |                 |                 |                 |                 |                 |              | *3810<br>*8400  | 3690<br>8140 | 7.34<br>(24.1) |
| 6.0 m<br>(20 ft)            | kg<br>lb |                  |                  |                  |                  |                 | *4150<br>*9150  | *4150<br>*9150  |                 |                 |              | *3910<br>*8620  | 2890<br>6370 | 8.31<br>(27.3) |
| 4.5 m<br>(15 ft)            | kg<br>lb |                  |                  |                  | *5500<br>*12130  | *5500<br>*12130 | *4710<br>*10380 | *4710<br>*10380 | *4390<br>*9680  | 3350<br>7390    |              | *4050<br>*8930  | 2500<br>5510 | 8.87<br>(29.1) |
| 3.0 m<br>(10 ft)            | kg<br>lb |                  |                  |                  | *7330<br>*16160  | *7330<br>*16160 | *5550<br>*12240 | 4700<br>10360   | *4760<br>*10490 | 3230<br>7120    |              | *4230<br>*9330  | 2320<br>5110 | 9.10<br>(29.9) |
| 1.5 m<br>(5 ft)             | kg<br>lb |                  |                  |                  | *8950<br>*19730  | 6970<br>15370   | *6390<br>*14090 | 4450<br>9810    | *5180<br>*11420 | 3110<br>6860    |              | *4430<br>*9770  | 2300<br>5070 | 9.05<br>(29.7) |
| Ground<br>Line              | kg<br>lb |                  |                  | *9840<br>*21690  | *9840<br>*21690  | *9780<br>*21560 | 6720<br>14820   | *6980<br>*15390 | 4290<br>9460    | *5480<br>*12080 | 3030<br>6680 | *4640<br>*10230 | 2440<br>5380 | 8.70<br>(28.5) |
| -1.5 m<br>(-5 ft)           | kg<br>lb | *10680<br>*23550 | *10680<br>*23550 | *14730<br>*32470 | 14050<br>30970   | *9850<br>*21720 | 6680<br>14730   | *7130<br>*15720 | 4230<br>9330    |                 |              | *4830<br>*10650 | 2820<br>6220 | 8.00<br>(26.2) |
| -3.0 m<br>(-10 ft)          | kg<br>lb | *15190<br>*33490 | *15190<br>*33490 | *13270<br>*29260 | *13270<br>*29260 | *9140<br>*20150 | 6780<br>14950   | *6600<br>*14550 | 4300<br>9480    |                 |              | *4870<br>*10740 | 3730<br>8220 | 6.84<br>(22.4) |
| -4.5 m<br>(-15 ft)          | kg<br>lb |                  |                  | *10270<br>*22640 | *10270<br>*22640 | *7070<br>*15590 | *7070<br>*15590 |                 |                 |                 |              |                 |              |                |

Boom : 5.65 m (18' 6") / Arm : 2.40 m (7' 10") / Bucket : 0.80 m<sup>3</sup> (1.05 yd<sup>3</sup>) SAE heaped / Front outrigger and rear dozer blade up

| Load point height<br>m (ft) |          | Load radius      |                  |                  |                 |                 |                 |               |              |               |              | At max. reach  |              |                |
|-----------------------------|----------|------------------|------------------|------------------|-----------------|-----------------|-----------------|---------------|--------------|---------------|--------------|----------------|--------------|----------------|
|                             |          | 1.5 m (5 ft)     |                  | 3.0 m (10 ft)    |                 | 4.5 m (15 ft)   |                 | 6.0 m (20 ft) |              | 7.5 m (25 ft) |              | Capacity       |              | Reach          |
|                             |          |                  |                  |                  |                 |                 |                 |               |              |               |              |                |              | m (ft)         |
| 7.5 m<br>(25 ft)            | kg<br>lb |                  |                  |                  |                 |                 |                 |               |              |               |              | *3810<br>*8400 | 2180<br>4810 | 7.34<br>(24.1) |
| 6.0 m<br>(20 ft)            | kg<br>lb |                  |                  |                  |                 |                 | *4150<br>*9150  | 3110<br>6860  |              |               |              | 3310<br>7300   | 1630<br>3590 | 8.31<br>(27.3) |
| 4.5 m<br>(15 ft)            | kg<br>lb |                  |                  |                  | *5500<br>*12130 | 4770<br>10520   | *4710<br>*10380 | 2930<br>6460  | 3840<br>8470 | 1900<br>4190  |              | 2890<br>6370   | 1350<br>2980 | 8.87<br>(29.1) |
| 3.0 m<br>(10 ft)            | kg<br>lb |                  |                  |                  | *7330<br>*16160 | 4220<br>9300    | 5400<br>11900   | 2690<br>5930  | 3730<br>8220 | 1800<br>3970  |              | 2700<br>5950   | 1220<br>2690 | 9.10<br>(29.9) |
| 1.5 m<br>(5 ft)             | kg<br>lb |                  |                  |                  | 8100<br>17860   | 3780<br>8330    | 5140<br>11330   | 2470<br>5450  | 3600<br>7940 | 1690<br>3730  |              | 2680<br>5910   | 1200<br>2650 | 9.05<br>(29.7) |
| Ground<br>Line              | kg<br>lb |                  |                  | *9840<br>*21690  | 6700<br>14770   | 7850<br>17310   | 3570<br>7870    | 4970<br>10960 | 2320<br>5110 | 3520<br>7760  | 1610<br>3550 | 2840<br>6260   | 1280<br>2820 | 8.70<br>(28.5) |
| -1.5 m<br>(-5 ft)           | kg<br>lb | *10680<br>*23550 | *10680<br>*23550 | *14730<br>*32470 | 6770<br>14930   | 7800<br>17200   | 3530<br>7780    | 4920<br>10850 | 2270<br>5000 |               |              | 3270<br>7210   | 1520<br>3350 | 8.00<br>(26.2) |
| -3.0 m<br>(-10 ft)          | kg<br>lb | *15190<br>*33490 | *15190<br>*33490 | *13270<br>*29260 | 6960<br>15340   | 7900<br>17420   | 3620<br>7980    | 4990<br>11000 | 2330<br>5140 |               |              | 4290<br>9460   | 2080<br>4590 | 6.84<br>(22.4) |
| -4.5 m<br>(-15 ft)          | kg<br>lb |                  |                  | *10270<br>*22640 | 7350<br>16200   | *7070<br>*15590 | 3880<br>8550    |               |              |               |              |                |              |                |

- Lifting capacity is based on ISO 10567.
- Lifting capacity of the Robex Series does not exceed 75% of the tipping load with the machine on firm, level ground or 87% of full hydraulic capacity.
- The load point is a hook located on the back of the bucket.
- (\*) indicates the load limited by hydraulic capacity.

# Lifting Capacity

## R210W-9S

Rating over-front Rating over-side or 360 degree

Boom : 5.65 m (18' 6") / Arm : 2.92 m (9' 7") / Bucket : 0.80 m<sup>3</sup> (1.05 yd<sup>3</sup>) SAE heaped / 4 outrigger down

| Load point height<br>m (ft) |          | Load radius      |                  |                  |                  |                 |               |                 |               |                 |              | At max. reach   |                  |                  |                  |                 |                 |                 |                |                 |                |                |              |                |
|-----------------------------|----------|------------------|------------------|------------------|------------------|-----------------|---------------|-----------------|---------------|-----------------|--------------|-----------------|------------------|------------------|------------------|-----------------|-----------------|-----------------|----------------|-----------------|----------------|----------------|--------------|----------------|
|                             |          | 1.5 m (5 ft)     |                  | 3.0 m (10 ft)    |                  | 4.5 m (15 ft)   |               | 6.0 m (20 ft)   |               | 7.5 m (25 ft)   |              | Capacity        |                  | Reach            |                  |                 |                 |                 |                |                 |                |                |              |                |
|                             |          |                  |                  |                  |                  |                 |               |                 |               |                 |              |                 |                  | m (ft)           |                  |                 |                 |                 |                |                 |                |                |              |                |
| 9.0 m<br>(30 ft)            | kg<br>lb |                  |                  |                  |                  |                 |               |                 |               |                 |              |                 |                  | *3410<br>*7520   | *3410<br>*7520   | 6.52<br>(21.4)  |                 |                 |                |                 |                |                |              |                |
| 7.5 m<br>(25 ft)            | kg<br>lb |                  |                  |                  |                  |                 |               |                 |               |                 |              |                 |                  | *3470<br>*7650   | *3470<br>*7650   | 7.96<br>(26.1)  |                 |                 |                |                 |                |                |              |                |
| 6.0 m<br>(20 ft)            | kg<br>lb |                  |                  |                  |                  |                 |               |                 |               |                 |              |                 | *2690<br>*5930   | *2690<br>*5930   | *3580<br>*7890   | 3140<br>6920    | 8.85<br>(29.0)  |                 |                |                 |                |                |              |                |
| 4.5 m<br>(15 ft)            | kg<br>lb |                  |                  |                  |                  |                 |               |                 |               |                 |              |                 | *4210<br>*9280   | *4210<br>*9280   | *3980<br>*8770   | *3980<br>*8770  | *3720<br>*8200  | 2770<br>6110    | 9.37<br>(30.7) |                 |                |                |              |                |
| 3.0 m<br>(10 ft)            | kg<br>lb |                  |                  |                  |                  |                 |               |                 |               |                 |              |                 | *10720<br>*23630 | *10720<br>*23630 | *6550<br>*14440  | *6550<br>*14440 | *5090<br>*11220 | *5090<br>*11220 | *3890<br>*8580 | 2600<br>5730    | 9.59<br>(31.5) |                |              |                |
| 1.5 m<br>(5 ft)             | kg<br>lb |                  |                  |                  |                  |                 |               |                 |               |                 |              |                 |                  | *8900<br>*19620  | *8900<br>*19620  | *8350<br>*18410 | *8350<br>*18410 | *6020<br>*13270 | 5510<br>12150  | *4900<br>*8990  | 3820<br>5670   | 9.54<br>(31.3) |              |                |
| Ground<br>Line              | kg<br>lb |                  |                  |                  |                  |                 |               |                 |               |                 |              |                 |                  | *10210<br>*22510 | *10210<br>*22510 | *9470<br>*20880 | 8490<br>18720   | *6730<br>*14840 | 5290<br>11660  | *5300<br>*11680 | 3710<br>8180   | *4290<br>*9460 | 2710<br>5970 | 9.21<br>(30.2) |
| -1.5 m<br>(-5 ft)           | kg<br>lb | *9470<br>*20880  | *9470<br>*20880  | *13480<br>*29720 | *13480<br>*29720 | *9820<br>*21650 | 8360<br>18430 | *7060<br>*15560 | 5190<br>11440 | *5440<br>*11990 | 3660<br>8070 | *4500<br>*9920  | 3060<br>6750     | 8.56<br>(28.1)   |                  |                 |                 |                 |                |                 |                |                |              |                |
| -3.0 m<br>(-10 ft)          | kg<br>lb | *12940<br>*28530 | *12940<br>*28530 | *14070<br>*31020 | *14070<br>*31020 | *9430<br>*20790 | 8410<br>18540 | *6830<br>*15060 | 5220<br>11510 |                 |              | *4640<br>*10230 | 3860<br>8510     | 7.50<br>(24.6)   |                  |                 |                 |                 |                |                 |                |                |              |                |
| -4.5 m<br>(-15 ft)          | kg<br>lb |                  |                  |                  |                  |                 |               |                 |               |                 |              |                 |                  |                  |                  |                 |                 |                 |                |                 |                |                |              |                |

Boom : 5.65 m (18' 6") / Arm : 2.92 m (9' 7") / Bucket : 0.80 m<sup>3</sup> (1.05 yd<sup>3</sup>) SAE heaped / 4 outrigger up

| Load point height<br>m (ft) |          | Load radius      |                  |                  |                  |                 |               |                 |               |                 |              | At max. reach   |              |                  |               |                 |              |                 |              |                |              |              |              |                |
|-----------------------------|----------|------------------|------------------|------------------|------------------|-----------------|---------------|-----------------|---------------|-----------------|--------------|-----------------|--------------|------------------|---------------|-----------------|--------------|-----------------|--------------|----------------|--------------|--------------|--------------|----------------|
|                             |          | 1.5 m (5 ft)     |                  | 3.0 m (10 ft)    |                  | 4.5 m (15 ft)   |               | 6.0 m (20 ft)   |               | 7.5 m (25 ft)   |              | Capacity        |              | Reach            |               |                 |              |                 |              |                |              |              |              |                |
|                             |          |                  |                  |                  |                  |                 |               |                 |               |                 |              |                 |              | m (ft)           |               |                 |              |                 |              |                |              |              |              |                |
| 9.0 m<br>(30 ft)            | kg<br>lb |                  |                  |                  |                  |                 |               |                 |               |                 |              |                 |              | *3410<br>*7520   | 2840<br>6260  | 6.52<br>(21.4)  |              |                 |              |                |              |              |              |                |
| 7.5 m<br>(25 ft)            | kg<br>lb |                  |                  |                  |                  |                 |               |                 |               |                 |              |                 |              | *3470<br>*7650   | 1870<br>4120  | 7.96<br>(26.1)  |              |                 |              |                |              |              |              |                |
| 6.0 m<br>(20 ft)            | kg<br>lb |                  |                  |                  |                  |                 |               |                 |               |                 |              |                 |              | *2690<br>*5930   | 2010<br>4430  | 2970<br>6550    | 1420<br>3130 | 8.85<br>(29.0)  |              |                |              |              |              |                |
| 4.5 m<br>(15 ft)            | kg<br>lb |                  |                  |                  |                  |                 |               |                 |               |                 |              |                 |              | *4210<br>*9280   | 2990<br>6590  | 3880<br>8550    | 1930<br>4250 | 2610<br>5750    | 1190<br>2620 | 9.37<br>(30.7) |              |              |              |                |
| 3.0 m<br>(10 ft)            | kg<br>lb |                  |                  |                  |                  |                 |               |                 |               |                 |              |                 |              | *10720<br>*23630 | 7970<br>17570 | *6550<br>*14440 | 4340<br>9570 | *5090<br>*11220 | 2730<br>6020 | 3740<br>8250   | 1810<br>3990 | 2450<br>5400 | 1070<br>2360 | 9.59<br>(31.5) |
| 1.5 m<br>(5 ft)             | kg<br>lb |                  |                  |                  |                  |                 |               |                 |               |                 |              |                 |              | *8900<br>*19620  | 6830<br>15060 | 8180<br>18030   | 3840<br>8470 | 5160<br>11380   | 2470<br>5450 | 3590<br>7910   | 1670<br>3680 | 2420<br>5340 | 1040<br>2290 | 9.54<br>(31.3) |
| Ground<br>Line              | kg<br>lb |                  |                  |                  |                  |                 |               |                 |               |                 |              |                 |              | *10210<br>*22510 | 6570<br>14480 | 7830<br>17260   | 3550<br>7830 | 4950<br>10910   | 2290<br>5050 | 3480<br>7670   | 1570<br>3460 | 2550<br>5620 | 1100<br>2430 | 9.21<br>(30.2) |
| -1.5 m<br>(-5 ft)           | kg<br>lb | *9470<br>*20880  | *9470<br>*20880  | *13480<br>*29720 | *13480<br>*29720 | *9820<br>*21650 | 8360<br>18430 | *7060<br>*15560 | 5190<br>11440 | *5440<br>*11990 | 3660<br>8070 | *4500<br>*9920  | 3060<br>6750 | 8.56<br>(28.1)   |               |                 |              |                 |              |                |              |              |              |                |
| -3.0 m<br>(-10 ft)          | kg<br>lb | *12940<br>*28530 | *12940<br>*28530 | *14070<br>*31020 | *14070<br>*31020 | *9430<br>*20790 | 8410<br>18540 | *6830<br>*15060 | 5220<br>11510 |                 |              | *4640<br>*10230 | 3860<br>8510 | 7.50<br>(24.6)   |               |                 |              |                 |              |                |              |              |              |                |
| -4.5 m<br>(-15 ft)          | kg<br>lb |                  |                  |                  |                  |                 |               |                 |               |                 |              |                 |              |                  |               |                 |              |                 |              |                |              |              |              |                |

- Lifting capacity is based on ISO 10567.
- Lifting capacity of the Robex Series does not exceed 75% of the tipping load with the machine on firm, level ground or 87% of full hydraulic capacity.
- The load point is a hook located on the back of the bucket.
- (\*) indicates the load limited by hydraulic capacity.

# Lifting Capacity

## R210W-9S

Rating over-front Rating over-side or 360 degree

Boom : 5.65 m (18' 6") / Arm : 2.92 m (9' 7") / Bucket : 0.80 m<sup>3</sup> (1.05 yd<sup>3</sup>) SAE heaped / Front outrigger and rear dozer blade down

| Load point height<br>m (ft) |          | Load radius      |                  |                  |                  |                 |                 |                 |                |                 |              | At max. reach   |                |                |
|-----------------------------|----------|------------------|------------------|------------------|------------------|-----------------|-----------------|-----------------|----------------|-----------------|--------------|-----------------|----------------|----------------|
|                             |          | 1.5 m (5 ft)     |                  | 3.0 m (10 ft)    |                  | 4.5 m (15 ft)   |                 | 6.0 m (20 ft)   |                | 7.5 m (25 ft)   |              | Capacity        | Reach          |                |
|                             |          |                  |                  |                  |                  |                 |                 |                 |                |                 |              |                 |                | m (ft)         |
| 9.0 m<br>(30 ft)            | kg<br>lb |                  |                  |                  |                  |                 |                 |                 |                |                 |              | *3410<br>*7520  | *3410<br>*7520 | 6.52<br>(21.4) |
| 7.5 m<br>(25 ft)            | kg<br>lb |                  |                  |                  |                  |                 |                 |                 |                |                 |              | *3470<br>*7650  | 3210<br>7080   | 7.96<br>(26.1) |
| 6.0 m<br>(20 ft)            | kg<br>lb |                  |                  |                  |                  |                 |                 |                 | *2690<br>*5930 | *2690<br>*5930  |              | *3580<br>*7890  | 2580<br>5690   | 8.85<br>(29.0) |
| 4.5 m<br>(15 ft)            | kg<br>lb |                  |                  |                  |                  |                 |                 | *4210<br>*9280  | *4210<br>*9280 | *3980<br>*8770  | 3380<br>7450 | *3720<br>*8200  | 2250<br>4960   | 9.37<br>(30.7) |
| 3.0 m<br>(10 ft)            | kg<br>lb |                  |                  | *10720<br>*23630 | *10720<br>*23630 | *6550<br>*14440 | *6550<br>*14440 | *5090<br>*11220 | 4750<br>10470  | *4410<br>*9720  | 3250<br>7170 | *3890<br>*8580  | 2090<br>4610   | 9.59<br>(31.5) |
| 1.5 m<br>(5 ft)             | kg<br>lb |                  |                  | *8900<br>*19620  | *8900<br>*19620  | *8350<br>*18410 | 7040<br>15520   | *6020<br>*13270 | 4460<br>9830   | *4900<br>*10800 | 3100<br>6830 | *4080<br>*8990  | 2070<br>4560   | 9.54<br>(31.3) |
| Ground                      | kg<br>lb |                  |                  | *10210<br>*22510 | *10210<br>*22510 | *9470<br>*20880 | 6700<br>14770   | *6730<br>*14840 | 4260<br>9390   | *5300<br>*11680 | 2990<br>6590 | *4290<br>*9460  | 2180<br>4810   | 9.21<br>(30.2) |
| -1.5 m<br>(-5 ft)           | kg<br>lb | *9470<br>*20880  | *9470<br>*20880  | *13480<br>*29720 | *13480<br>*29720 | *9820<br>*21650 | 6590<br>14530   | *7060<br>*15560 | 4160<br>9170   | *5440<br>*11990 | 2950<br>6500 | *4500<br>*9920  | 2470<br>5450   | 8.56<br>(28.1) |
| -3.0 m<br>(-10 ft)          | kg<br>lb | *12940<br>*28530 | *12940<br>*28530 | *14070<br>*31020 | 14020<br>30910   | *9430<br>*20790 | 6640<br>14640   | *6830<br>*15060 | 4190<br>9240   |                 |              | *4640<br>*10230 | 3130<br>6900   | 7.50<br>(24.6) |
| -4.5 m<br>(-15 ft)          | kg<br>lb |                  |                  | *11670<br>*25730 | *11670<br>*25730 | *7990<br>*17610 | 6850<br>15100   |                 |                |                 |              |                 |                |                |

Boom : 5.65 m (18' 6") / Arm : 2.92 m (9' 7") / Bucket : 0.80 m<sup>3</sup> (1.05 yd<sup>3</sup>) SAE heaped / Front outrigger and rear dozer blade up

| Load point height<br>m (ft) |          | Load radius      |                  |                  |               |                 |              |                 |              |                |              | At max. reach  |              |                |
|-----------------------------|----------|------------------|------------------|------------------|---------------|-----------------|--------------|-----------------|--------------|----------------|--------------|----------------|--------------|----------------|
|                             |          | 1.5 m (5 ft)     |                  | 3.0 m (10 ft)    |               | 4.5 m (15 ft)   |              | 6.0 m (20 ft)   |              | 7.5 m (25 ft)  |              | Capacity       | Reach        |                |
|                             |          |                  |                  |                  |               |                 |              |                 |              |                |              |                |              | m (ft)         |
| 9.0 m<br>(30 ft)            | kg<br>lb |                  |                  |                  |               |                 |              |                 |              |                |              | *3410<br>*7520 | 2840<br>6260 | 6.52<br>(21.4) |
| 7.5 m<br>(25 ft)            | kg<br>lb |                  |                  |                  |               |                 |              |                 |              |                |              | *3470<br>*7650 | 1870<br>4120 | 7.96<br>(26.1) |
| 6.0 m<br>(20 ft)            | kg<br>lb |                  |                  |                  |               |                 |              |                 |              | *2690<br>*5930 | 2010<br>4430 | 2970<br>6550   | 1420<br>3130 | 8.85<br>(29.0) |
| 4.5 m<br>(15 ft)            | kg<br>lb |                  |                  |                  |               |                 |              | *4210<br>*9280  | 2990<br>6590 | 3880<br>8550   | 1930<br>4250 | 2610<br>5750   | 1190<br>2620 | 9.37<br>(30.7) |
| 3.0 m<br>(10 ft)            | kg<br>lb |                  |                  | *10720<br>*23630 | 7970<br>17570 | *6550<br>*14440 | 4340<br>9570 | *5090<br>*11220 | 2730<br>6020 | 3740<br>8250   | 1810<br>3990 | 2450<br>5400   | 1070<br>2360 | 9.59<br>(31.5) |
| 1.5 m<br>(5 ft)             | kg<br>lb |                  |                  | *8900<br>*19620  | 6830<br>15060 | 8180<br>18030   | 3840<br>8470 | 5160<br>11380   | 2470<br>5450 | 3590<br>7910   | 1670<br>3680 | 2420<br>5340   | 1040<br>2290 | 9.54<br>(31.3) |
| Ground                      | kg<br>lb |                  |                  | *10210<br>*22510 | 6570<br>14480 | 7830<br>17260   | 3550<br>7830 | 4950<br>10910   | 2290<br>5050 | 3480<br>7670   | 1570<br>3460 | 2550<br>5620   | 1100<br>2430 | 9.21<br>(30.2) |
| -1.5 m<br>(-5 ft)           | kg<br>lb | *9470<br>*20880  | *9470<br>*20880  | *13480<br>*29720 | 6590<br>14530 | 7710<br>17000   | 3450<br>7610 | 4850<br>10690   | 2200<br>4850 | 3440<br>7580   | 1530<br>3370 | 2880<br>6350   | 1290<br>2840 | 8.56<br>(28.1) |
| -3.0 m<br>(-10 ft)          | kg<br>lb | *12940<br>*28530 | *12940<br>*28530 | *14070<br>*31020 | 6740<br>14860 | 7760<br>17110   | 3490<br>7690 | 4870<br>10740   | 2220<br>4890 |                |              | 3630<br>8000   | 1700<br>3750 | 7.50<br>(24.6) |
| -4.5 m<br>(-15 ft)          | kg<br>lb |                  |                  | *11670<br>*25730 | 7050<br>15540 | 7980<br>17590   | 3670<br>8090 |                 |              |                |              |                |              |                |

- Lifting capacity is based on ISO 10567.
- Lifting capacity of the Robex Series does not exceed 75% of the tipping load with the machine on firm, level ground or 87% of full hydraulic capacity.
- The load point is a hook located on the back of the bucket.
- (\*) indicates the load limited by hydraulic capacity.

## STANDARD EQUIPMENT

- ISO Standard cabin
- All-weather steel cab with 360° visibility
- Safety glass windows
- Rise-up type windshield wiper
- Sliding fold-in front window
- Sliding side window(LH)
- Lockable door
- Hot & cool box
- Storage compartment & Ashtray
- Cabin roof-steel cover
- Radio & USB Player
- 12 volt power outlet (24V DC to 12V DC converter)
- Computer aided power optimization (New CAPO) system
- 3-power mode, 2-work mode, user mode
- Auto deceleration & one-touch deceleration system
- Auto warm-up system
- Auto overheat prevention system
- Automatic climate control
- Air conditioner & heater
- Defroster
- Self-diagnostics system
- Starting Aid (air grid heater) for cold weather
- Centralized monitoring
- LCD display
- Engine speed or Trip meter/Accel.
- Clock
- Gauges
- Fuel level gauge
- Engine coolant temperature gauge
- Hyd. oil temperature gauge
- Warnings
- Check engine
- Communication error
- Low battery
- Air cleaner clogging
- Indicators
- Max power
- Low speed/High speed
- Fuel warmer
- Auto idle
- Door and cab locks, one key
- Two outside rearview mirrors
- Fully adjustable suspension seat with seat belt
- Pilot-operated slidable joystick
- Four front working lights
- Electric horn
- Batteries (2 x 12V x 100 AH)
- Battery master switch
- Removable clean-out dust net for cooler
- Automatic swing brake
- Removable reservoir tank
- Fuel pre-filter with fuel warmer
- Boom holding system
- Arm holding system
- Accumulator for lowering work equipment
- Electric Transducer
- Tires-dual (10.00-20-14PR)
- Travel alarm
- Front outrigger and rear blade

## OPTIONAL EQUIPMENT

- Fuel filler pump (35 L/min)
- Beacon lamp
- Single-acting piping kit (breaker, etc.)
- Double-acting piping kit (clamshell, etc.)
- Quick coupler
- Booms
- 5.65m, 18' 6"
- Arms
- 2.0m, 6' 7"
- 2.4m, 7' 10"
- 2.92m, 9' 7"
- Climate control
- Air conditioner only
- Heater only
- Cabin FOPS/FOG (ISO/DIS 10262 Level II)
- FOPS (Falling Object Protective Structure)
- FOG (Falling Object Guard)
- Cabin guard-Front
- Wire net
- Fine net
- Cabin lights
- Cabin front window rain guard
- Sun visor
- Undercarriage
- Front and rear outrigger
- Pre-heating system, coolant
- Tool kit
- Rearview camera
- Seat
- Mechanical suspension seat with heater
- Tires - dual (10.00 - 20 solid)
- Fenders (Mudguards)
- Hi-mate (Remote Management System)
- Air compressor
- Precleaner

- \* Standard and optional equipment may vary. Contact your Hyundai dealer for more information. The machine may vary according to International standards.
- \* The photos may include attachments and optional equipment that are not available in your area.
- \* Materials and specifications are subject to change without advance notice.
- \* All imperial measurements rounded off to the nearest pound or inch.